



April 20, 2018

Mr. Matthew P. Caillouet, AIA
WHLC Architecture
1744 Oakdale Drive
Baton Rouge, Louisiana 70810
225.767.1530
matt@whlcarchitecture.com

RE: **River Center Branch Library**
447 North 3rd Street
Baton Rouge, Louisiana

Dear Matt,

While we continue to evaluate the structure to understand the events that occurred this week, we recommend that the letter and sketch sent to the City yesterday regarding the area around the building to be closed to remain in effect. That sketch is attached to this letter.

Additionally, while we were in the field yesterday we provided a hand drawn sketch to the contractor for the two connections that were compromised. That sketch has been formalized and is attached to this letter.

We are continuing with our analysis and will follow up with additional recommendations as we progress.

Sincerely,

SCA Consulting Engineers

A handwritten signature in black ink, appearing to read 'Stephan P. Voss', written in a cursive style.

Stephan P. Voss, P.E., S.E.
Chief Operations Officer
Senior Principal

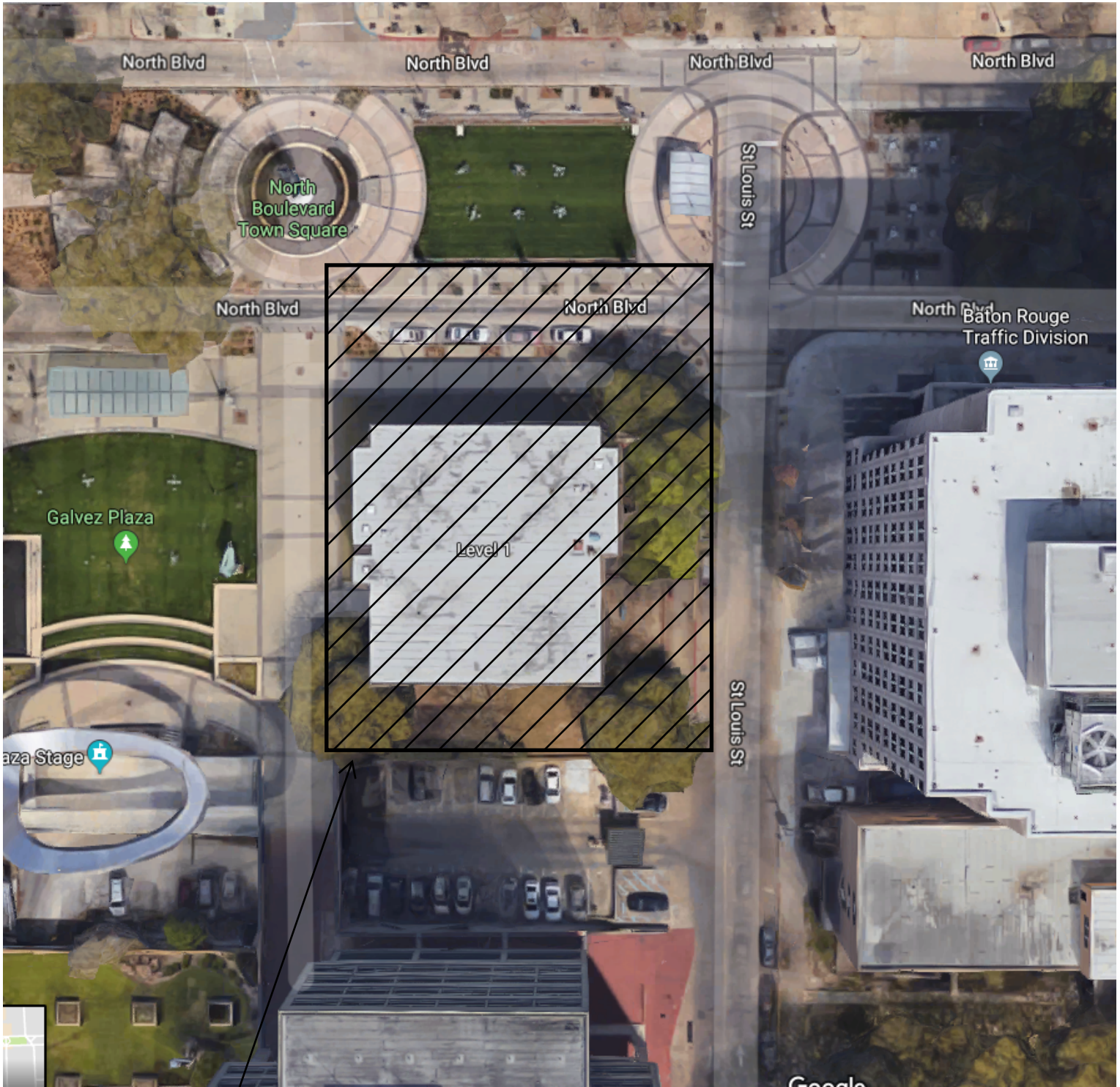
CORPORATE OFFICE
HOUSTON, TEXAS
12511 Emily Court
Sugar Land, Texas 77478
713 / 779-7252
1 / 800-422-7252

DALLAS, TEXAS
214 / 557-5298

LOUISVILLE, KENTUCKY
502 / 426-6789

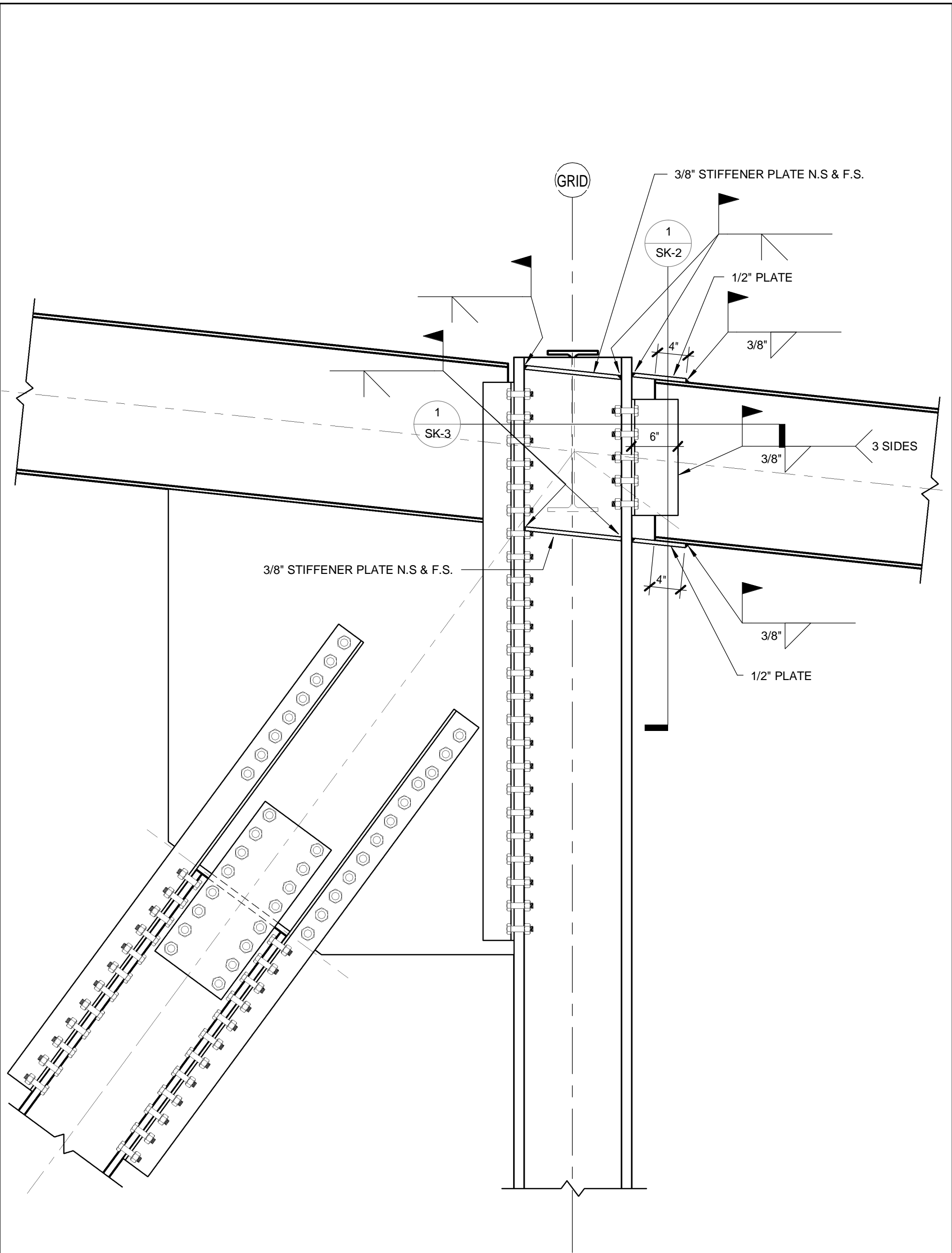
ORLANDO, FLORIDA
407 / 893-6200

SV/sh



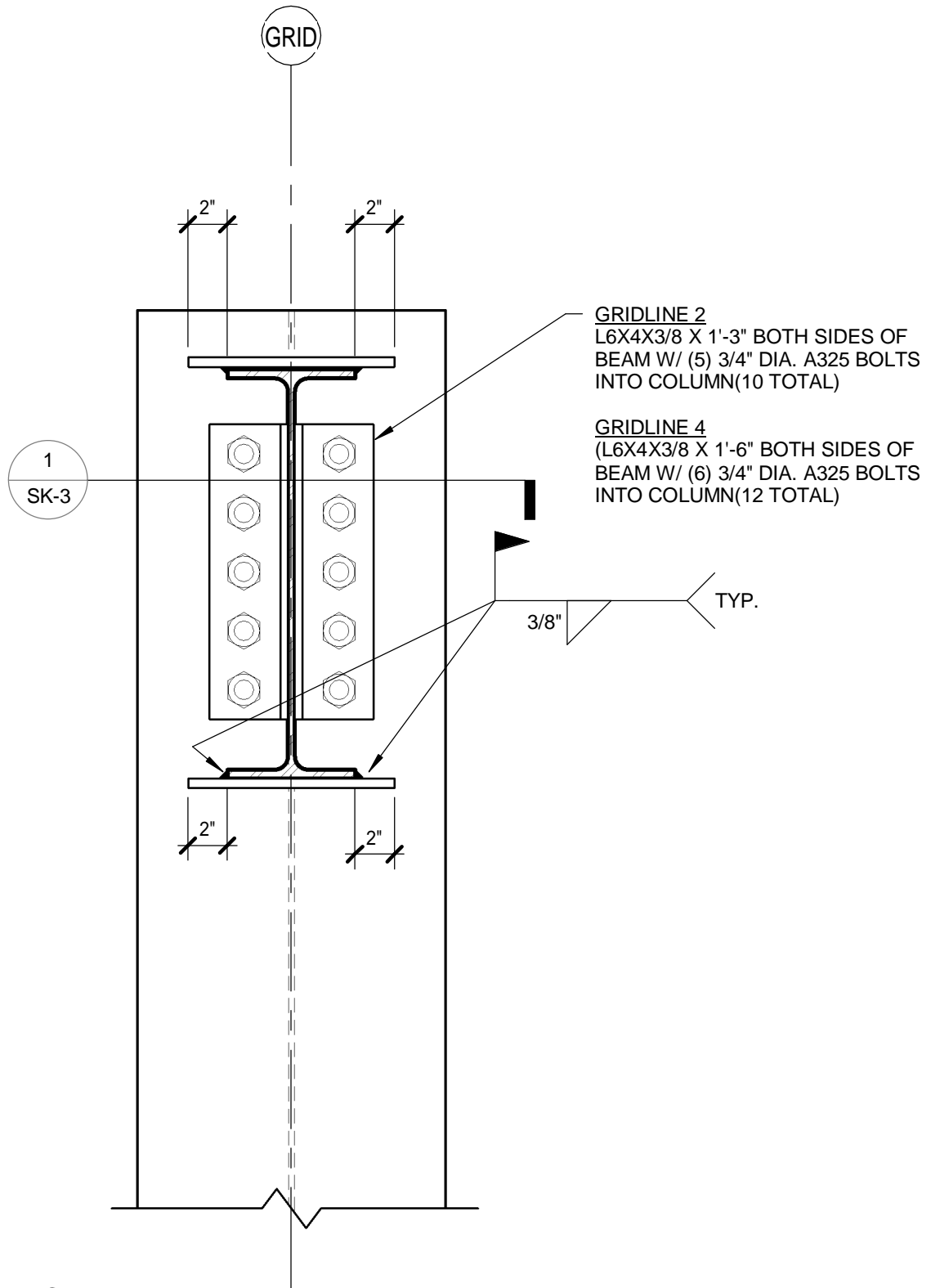
Hatched Area to
Remain Closed

River Center Library



1 Detail at Connection
1" = 1'-0"

Project Name EAST BATON ROUGE PARISH RIVER CENTER BRANCH LIBRARY BATON ROUGE, LA	 S&A CONSULTING ENGINEERS	CORPORATE OFFICE 12511 Emily Court Sugar Land, Texas 77478 713.779.7252 1.800.422.7252 Fax: 713.779.1173 e-mail: sca@scahouston.com www.scaengineers.com Louisville, Kentucky 402.426.6789 Orlando, Florida 407.983.6200	Issue			Project Number:										
			<table border="1"> <thead> <tr> <th>No.</th> <th>Date</th> <th>Description</th> </tr> </thead> <tbody> <tr> <td>1</td> <td>04/20/18</td> <td>CONNECTION</td> </tr> <tr> <td> </td> <td> </td> <td> </td> </tr> <tr> <td> </td> <td> </td> <td> </td> </tr> <tr> <td> </td> <td> </td> <td> </td> </tr> </tbody> </table>	No.	Date		Description	1	04/20/18	CONNECTION						
No.	Date	Description														
1	04/20/18	CONNECTION														
Scale 1" = 1'-0"					SK-1											



① Detail at Connection
1 1/2" = 1'-0"

Project Name

**EAST BATON ROUGE
PARISH RIVER CENTER
BRANCH LIBRARY

BATON ROUGE, LA**



CORPORATE OFFICE

12511 Emily Court
Sugar Land, Texas 77478
713.779.7252 1.800.422.7252
Fax: 713.779.1173
e-mail: sca@scahouston.com
www.scaengineers.com

Louisville, Kentucky 402.426.6789
Orlando, Florida 407.983.6200

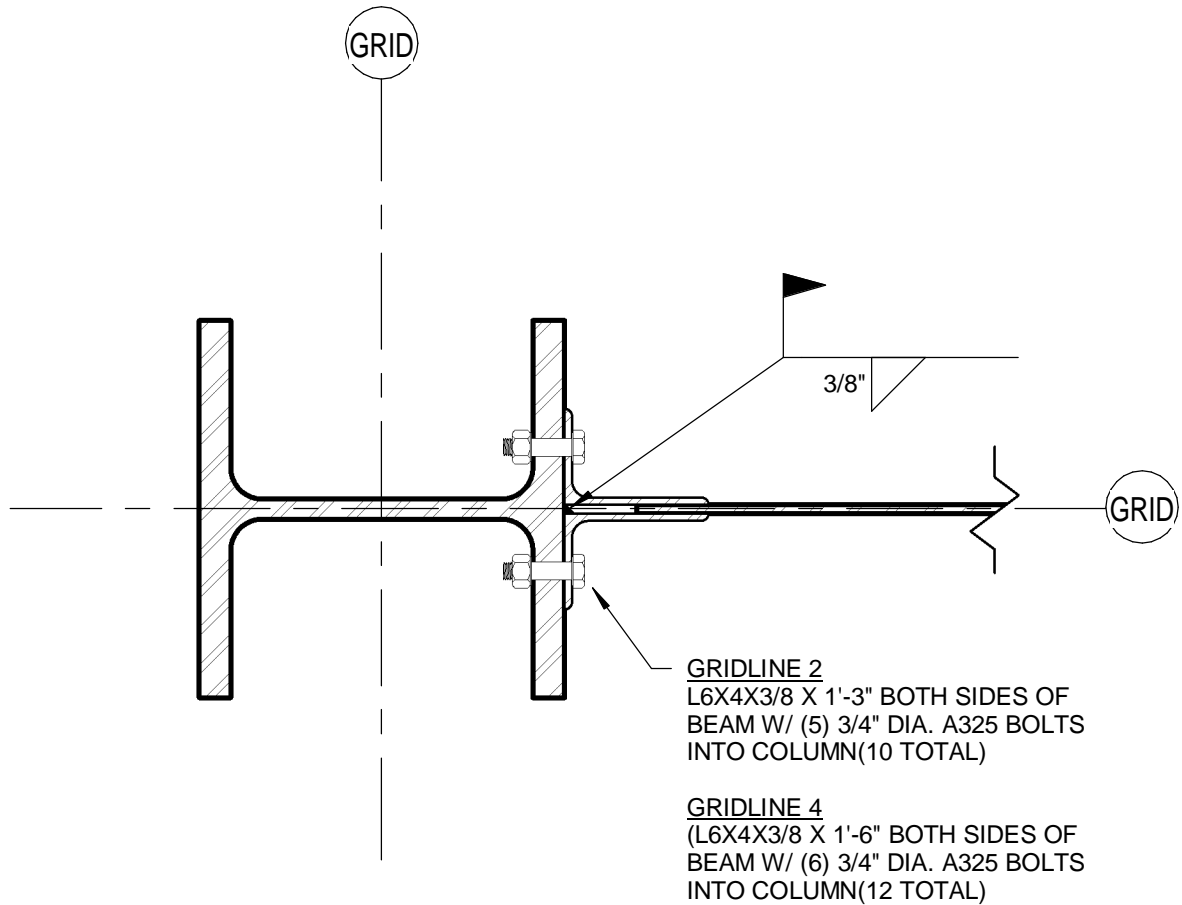
Issue

No.	Date	Description
1	04/20/18	CONNECTION

Project
Project Number: Number

SK-2

Scale 1 1/2" = 1'-0"



① Detail at Connection
1 1/2" = 1'-0"

Project Name

**EAST BATON ROUGE
PARISH RIVER CENTER
BRANCH LIBRARY**

BATON ROUGE, LA



CORPORATE OFFICE

12511 Emily Court
Sugar Land, Texas 77478
713.779.7252 1.800.422.7252
Fax: 713.779.1173
e-mail: sca@scahouston.com
www.scaengineers.com

Louisville, Kentucky 402.426.6789
Orlando, Florida 407.983.6200

Issue

No.	Date	Description
1	04/20/18	CONNECTION

Project
Project Number: Number

SK-3

Scale 1 1/2" = 1'-0"